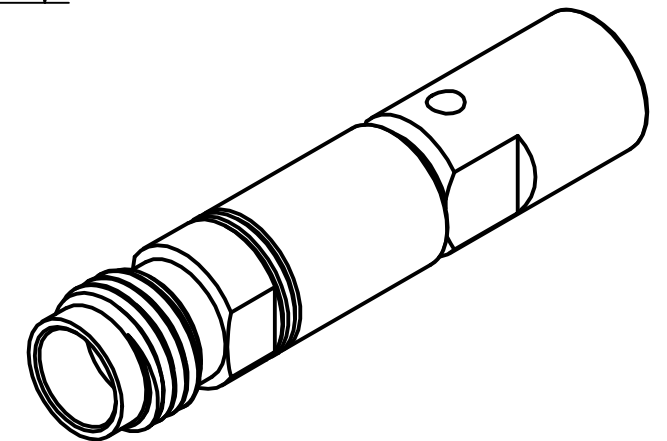
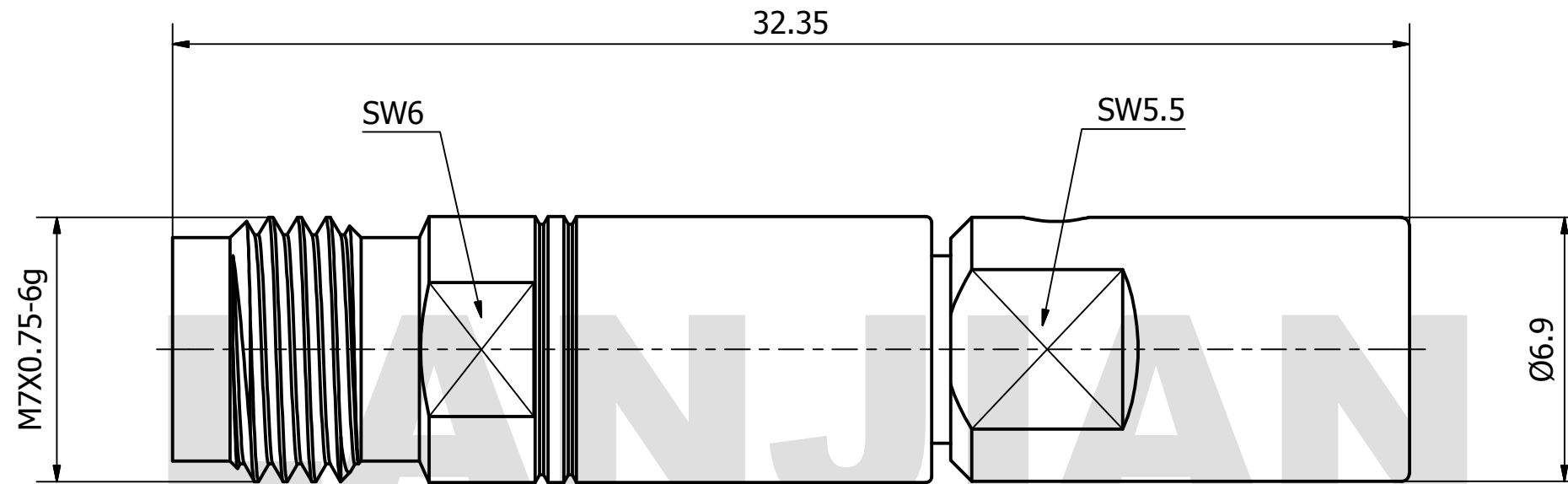


PRODUCT DATA SHEET



MATERIAL:
 BODY: STAINLESS STEEL PER AMS-5640,
 ALLOY UNS S30300
 CONTACT: BERYLLIUM COPPER PER ASTM B196.
 ALLOY NO. UNS C17300
 INSULATOR: PEI

PERFORMANCE:
 IMPEDANCE: 50 OHMS
 FREQUENCY: DC TO 50 GHz
 VSWR: ≤ 1.25

THIS DOCUMENT CONTAINS CONFIDENTIAL AND PROPRIETARY INFORMATION THAT CANNOT BE REPRODUCED OR DIVULGED, IN WHOLE OR IN PART, WITHOUT WRITTEN AUTHORIZATION FROM "LANJIAN ELECTRONICS"	MATERIAL :		
	UNLESS OTHERWISE SPECIFIED: DIMENSIONS IN MM		
	TOLERANCES :		
	X.X	± 0.20	ANGULAR : $\pm 1^\circ$
	X.XX	± 0.10	FILLETS R/C : ± 0.10
	X.XXX	± 0.01	SURFACE FINISH : Ra 1.6
			DEBURR AND BREAK SHARP EDGES
		NAME	DATE
	DRAWN	YaoJiang	12/17/2018
	CHK'D	HongZhongYan	12/17/2018
APPV'D	HongZhongYan	12/17/2018	
MFG			
	PROJECTION	SIZE	SCALE
		A3	6 : 1

LANJIAN ELECTRONICS

38 Hengtong Road, Xinqu Dingmao
Zhenjiang, 212009, Jiangsu, P. R. China

TITLE

**2.4-KON
straight jack cable connector**

DWG No. GCPZ3.660.O.028	REV. A
DO NOT SCALE THE DRAWING	PAGE 1 / 1