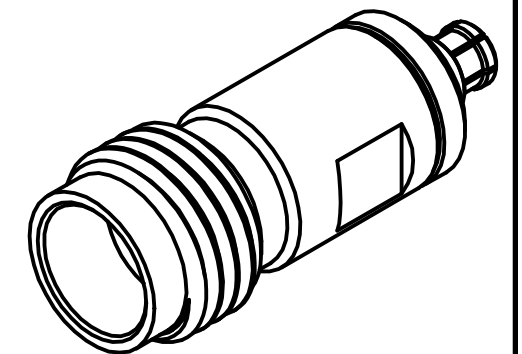
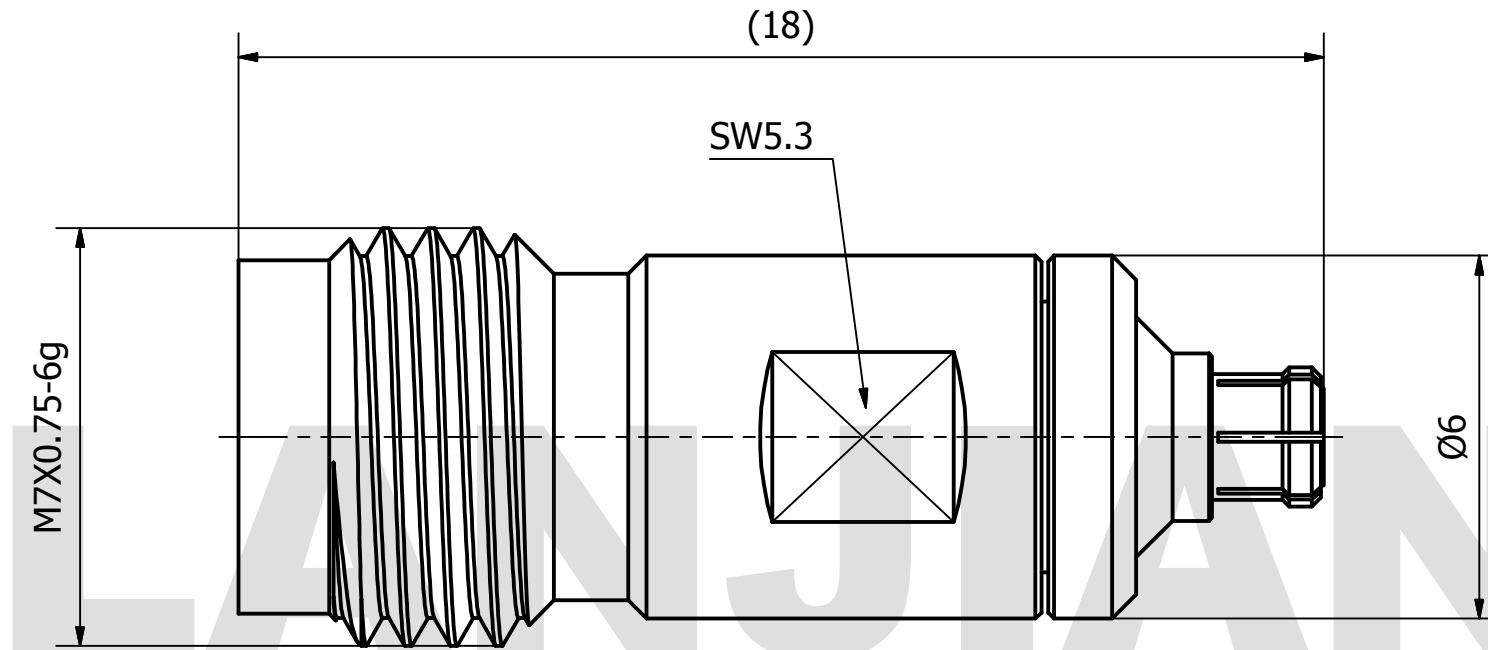


PRODUCT DATA SHEET



MATERIAL:
 BODY: STAINLESS STEEL & BERYLLIUM COPPER
 CONTACT: BERYLLIUM COPPER PER ASTM B196.
 INSULATOR: PEI

PERFORMANCE:
 IMPEDANCE: 50 OHMS
 FREQUENCY: DC TO 65 GHz
 VSWR: ≤1.35

| | | | | |
|--|--|--------------|-------------------------|--|
| THIS DOCUMENT CONTAINS CONFIDENTIAL AND PROPRIETARY INFORMATION THAT CANNOT BE REPRODUCED OR DIVULGED, IN WHOLE OR IN PART, WITHOUT WRITTEN AUTHORIZATION FROM "LANJIAN ELECTRONICS" | MATERIAL : | | | LANJIAN ELECTRONICS 38 Hengtong Road, Xinqu Dingmao Zhenjiang, 212009, Jiangsu, P. R. China |
| | UNLESS OTHERWISE SPECIFIED: DIMENSIONS IN MM | | | |
| | TOLERANCES : | | | |
| | X.X | ± 0.20 | ANGULAR : ± 1° | DEBURR AND BREAK SHARP EDGES |
| | X.XX | ± 0.10 | FILLETS R/C : ± 0.10 | |
| | X.XXX | ± 0.01 | SURFACE FINISH : Ra 1.6 | |
| | | NAME | DATE | SIGNATURE |
| | DRAWN | YaoJiang | 04/25/2019 | |
| | CHK'D | HongZhongYan | 04/25/2019 | |
| | APPV'D | HongZhongYan | 04/25/2019 | |
| MFG | | | | |
| PROJECTION | | SIZE | SCALE | DWG No. |
| | | A3 | 8 : 1 | GCPZ3.640.U.032 |
| DO NOT SCALE THE DRAWING | | | | REV. |
| | | | | A |
| | | | | PAGE |
| | | | | 1 / 1 |

TITLE
 1.85/SMPM-KK-LD straight adaptor

REV. A
 PAGE 1 / 1