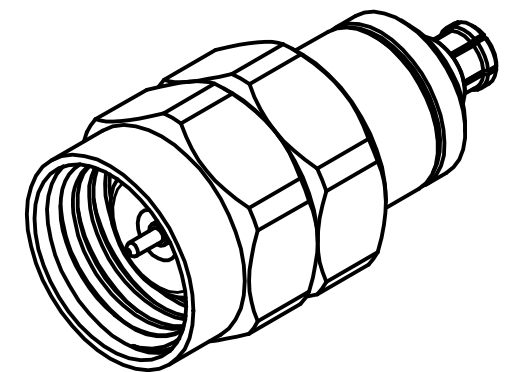
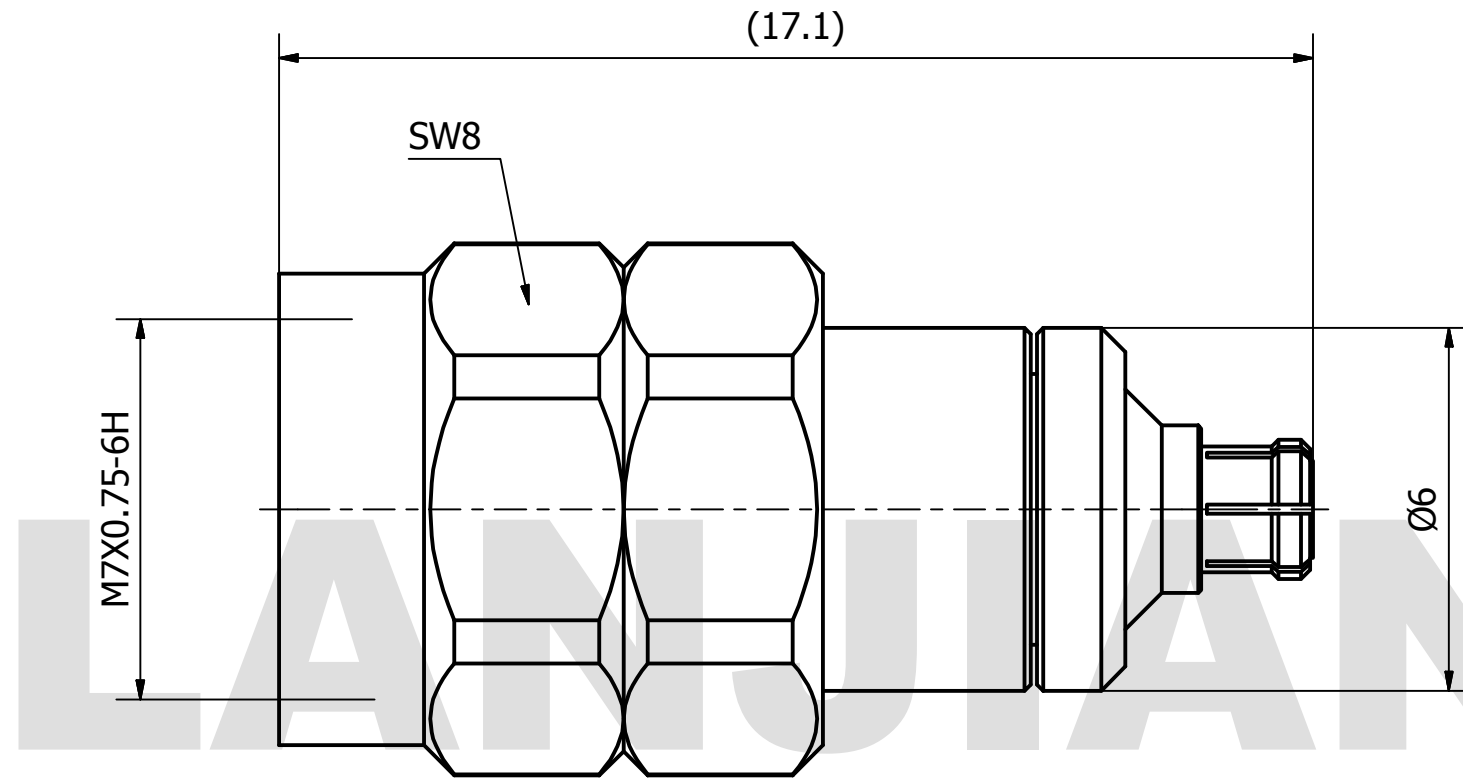


# PRODUCT DATA SHEET



**MATERIAL:**  
 BODY: STAINLESS STEEL & BERYLLIUM COPPER  
 CONTACT: BERYLLIUM COPPER PER ASTM B196.  
 INSULATOR: PEI

**PERFORMANCE:**  
 IMPEDANCE: 50 OHMS  
 FREQUENCY: DC TO 65 GHz  
 VSWR: ≤1.35

THIS DOCUMENT CONTAINS CONFIDENTIAL AND PROPRIETARY INFORMATION THAT CANNOT BE REPRODUCED OR DIVULGED, IN WHOLE OR IN PART, WITHOUT WRITTEN AUTHORIZATION FROM "LANJIAN ELECTRONICS"	MATERIAL :			<b>LANJIAN ELECTRONICS</b>		
	UNLESS OTHERWISE SPECIFIED: DIMENSIONS IN MM					
	TOLERANCES :			38 Hengtong Road, Xinqu Dingmao Zhenjiang, 212009, Jiangsu, P. R. China		
	X.X	± 0.20	ANGULAR : ± 1°			
	X.XX	± 0.10	FILLETS R/C : ± 0.10			
	X.XXX	± 0.01	SURFACE FINISH : Ra 1.6	DEBURR AND BREAK SHARP EDGES		
		NAME	DATE	SIGNATURE	1.85/SMPM-JK-LD straight adaptor	
DRAWN	YaoJiang	04/25/2019				
CHK'D	HongZhongYan	04/25/2019				
APPV'D	HongZhongYan	04/25/2019				
MFG				DWG No.	REV.	
PROJECTION			SIZE	SCALE	GCPZ3.640.U.030	A
			A3	8 : 1	DO NOT SCALE THE DRAWING	PAGE 1 / 1