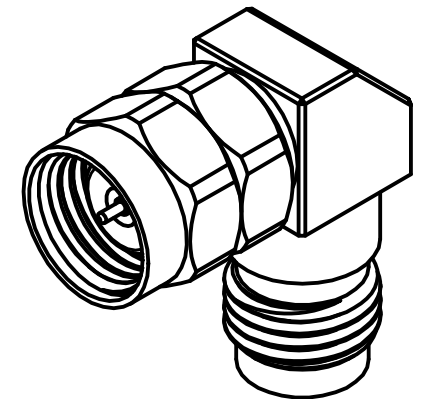
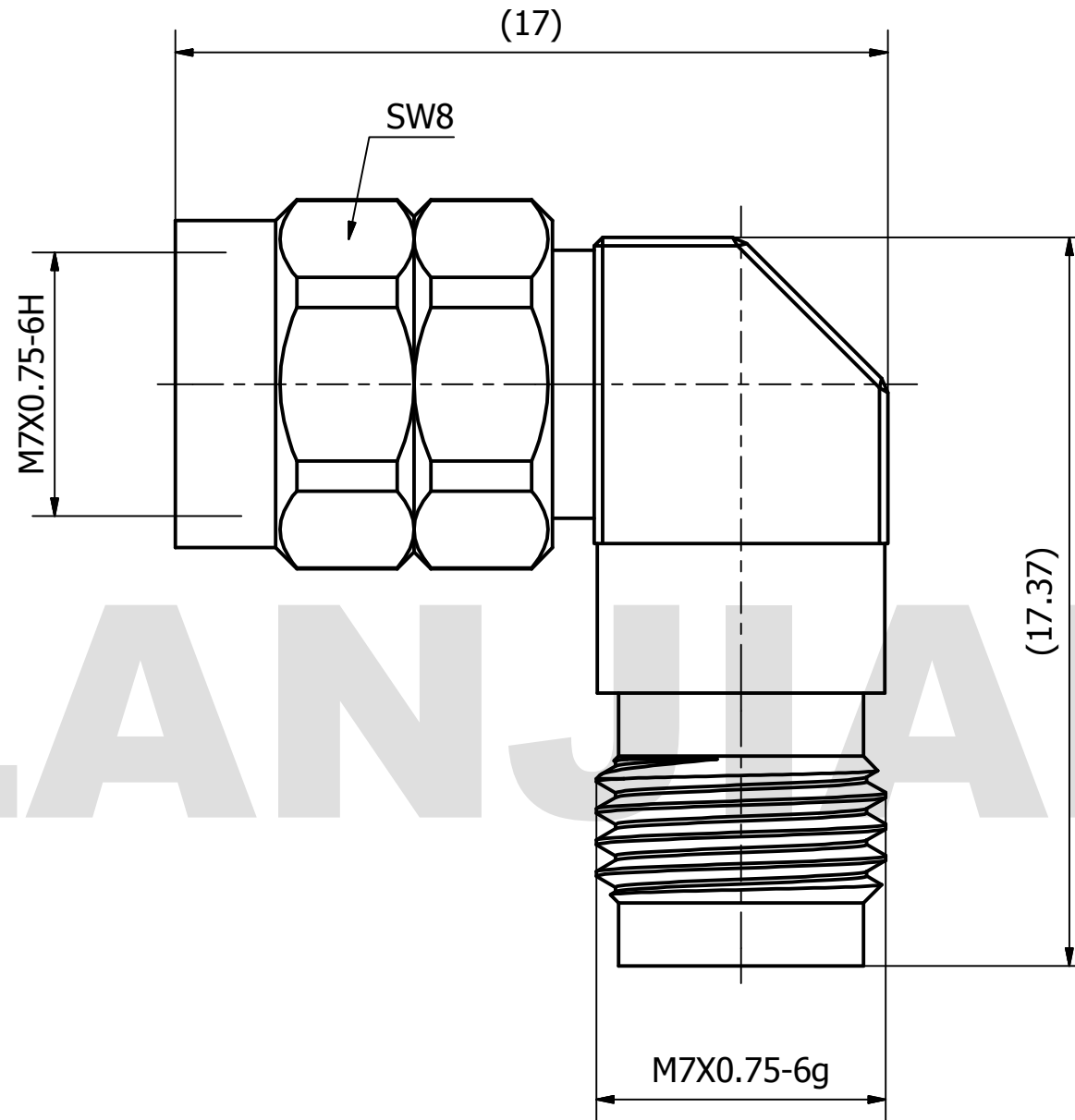


PRODUCT DATA SHEET



MATERIAL:
 BODY: STAINLESS STEEL PER AMS-5640,
 ALLOY UNS S30300
 CONTACT: BERYLLIUM COPPER PER ASTM B196.
 ALLOY NO. UNS C17300
 INSULATOR: PEI

PERFORMANCE:
 IMPEDANCE: 50 OHMS
 FREQUENCY: DC TO 65 GHz
 VSWR: ≤ 1.40

THIS DOCUMENT CONTAINS CONFIDENTIAL AND PROPRIETARY INFORMATION THAT CANNOT BE REPRODUCED OR DIVULGED, IN WHOLE OR IN PART, WITHOUT WRITTEN AUTHORIZATION FROM "LANJIAN ELECTRONICS"

| | | | |
|--|--------------|-------------------------|------------------------------------|
| MATERIAL : | | | |
| UNLESS OTHERWISE SPECIFIED: DIMENSIONS IN MM | | | |
| TOLERANCES : | | | |
| X.X | ± 0.20 | ANGULAR : ± 1° | DEBURR AND BREAK SHARP EDGES |
| X.XX | ± 0.10 | FILLETS R/C : ± 0.10 | |
| X.XXX | ± 0.01 | SURFACE FINISH : Ra 1.6 | |
| | NAME | DATE | SIGNATURE |
| DRAWN | YaoJiang | 04/25/2019 | |
| CHK'D | HongZhongYan | 04/25/2019 | |
| APPV'D | HongZhongYan | 04/25/2019 | |
| MFG | | | |
| PROJECTION | | SIZE | SCALE |
| | | A3 | 6 : 1 |

LANJIAN ELECTRONICS
 38 Hengtong Road, Xinqu Dingmao
 Zhenjiang, 212009, Jiangsu, P. R. China

TITLE
1.85-JWK R/A adaptor

| | |
|----------------------------|-----------|
| DWG No. GCPZ3.640.U.028 | REV. A |
| DO NOT SCALE THE DRAWING | |
| PAGE 1 / 1 | |